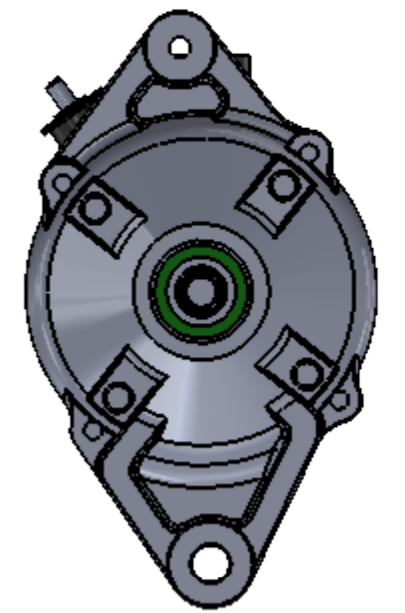
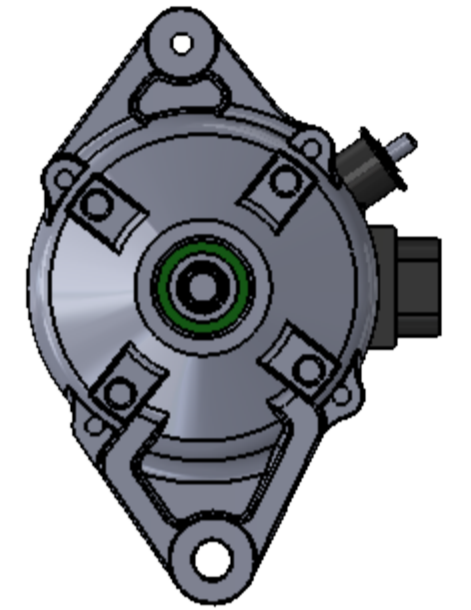


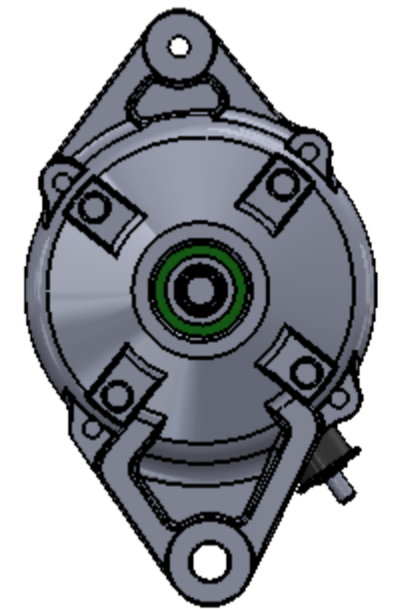
FRONT VIEW TYPE A



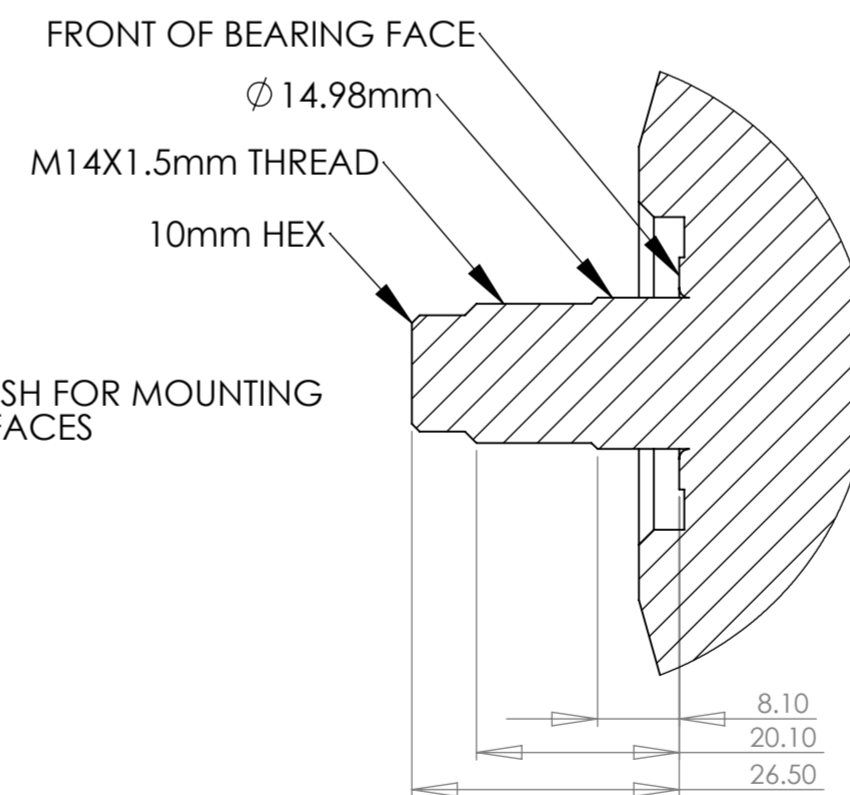
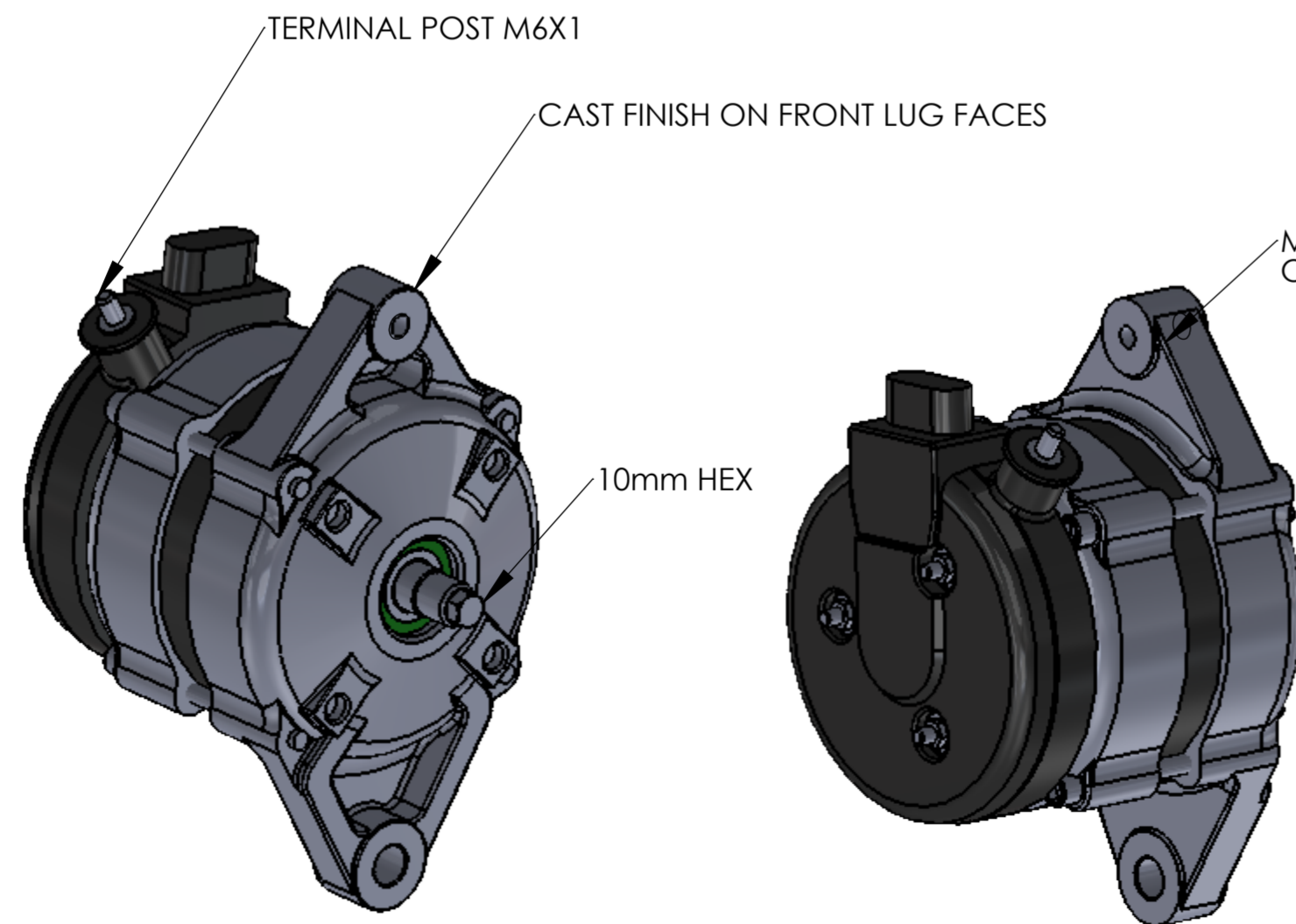
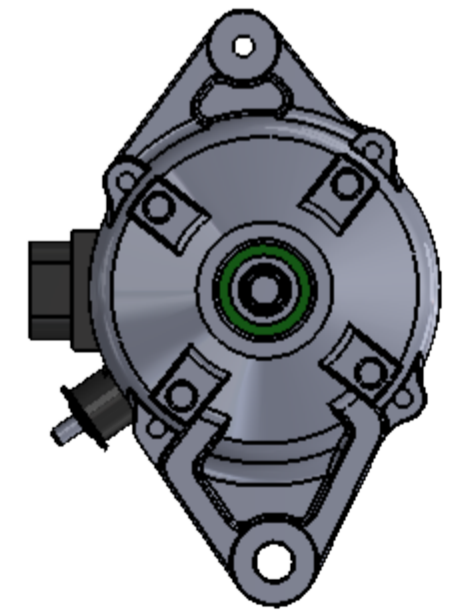
FRONT VIEW TYPE B



FRONT VIEW TYPE C



FRONT VIEW TYPE D



DRAWN BY	SIGNED	DRAWING NUMBER	DRAWING TITLE	PROJECT TITLE
D CUDD	23/09/16	LMA300	LMA300 INSTALLATION DRAWING	ALTERNATOR DRAWINGS
UNLESS OTHERWISE SPECIFIED: DIMENSIONS ARE IN MILLIMETERS TOLERANCES: UNLESS OTHERWISE SPECIFIED LINEAR : ±0.1MM ANGULAR : ±0.5° DEBUR AND BREAK SHARP EDGES		MATERIAL: N/A	FINISH: N/A	
REVISION	MADE BY	DATE	REVISION MADE	

